

Application

Designed to house electrical and electronic controls, instruments and components. Provides protection from dust, oil and water. For outdoor applications a drip shield and drain holes are required. For installation information, consult our installation manual at www.saginawcontrol.com.

Construction

- 0.075" carbon steel.
- Seams continuously welded and ground smooth, no holes or knockouts.
- Flange trough collar around all sides of door opening.
- Gasketed overlapping doors eliminate need for center post.
- Black zinc die cast keylocking/padlocking handle.
- 3-point latching mechanism.
- Latch rods have ramp shoes for easier door closing.
- Concealed hinges.
- Removable and interchangeable doors.
- Removable print pocket provided on door with 3-point latch.
- Pour in place oil and water resistant gasket.
- Collar studs for mounting optional subpanel.
- Ground stud on door and body.
- Mounting hardware, sealing washers and hole plugs included.

Finish

ANSI-61 gray powder coated inside and out. Optional subpanels powder coated white.

Options

Optional mounting foot kit available (SCE-ELMFK6).

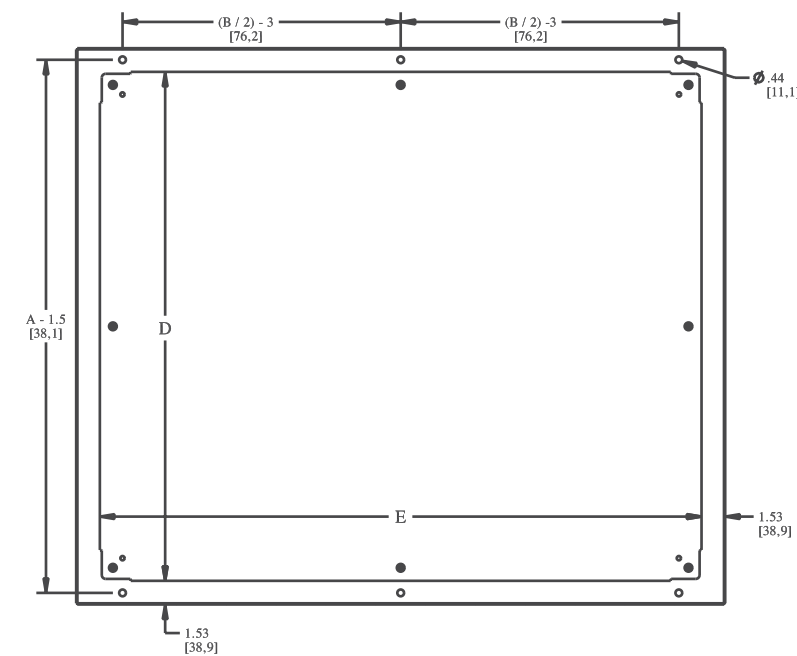
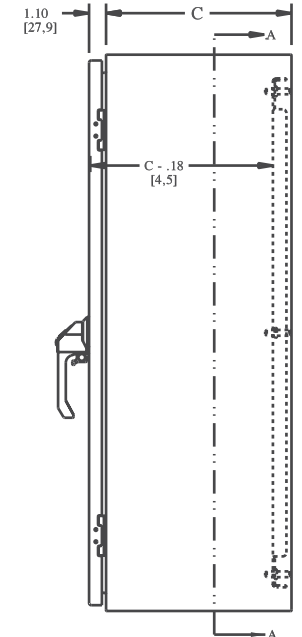
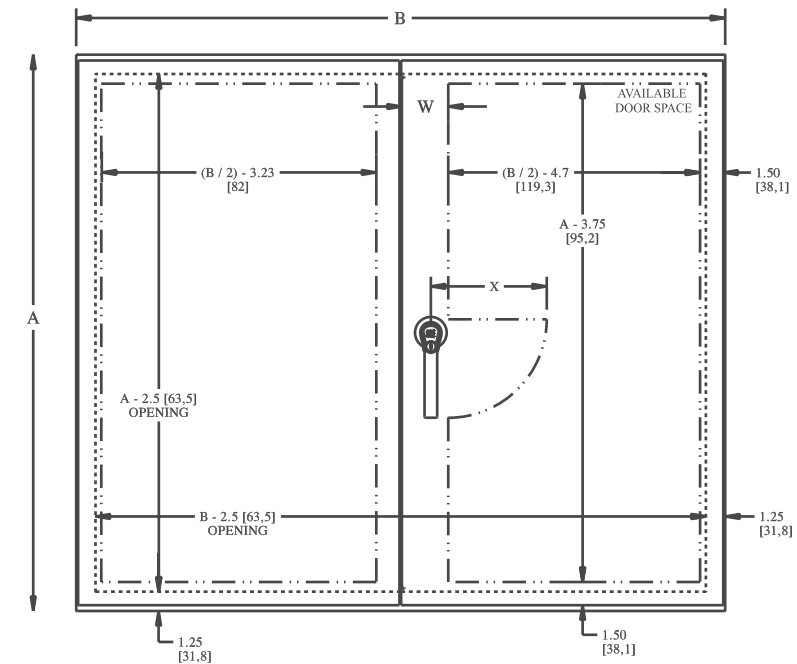
IS3 Industry Standards

NEMA Type 3R, 12 & Type 13
UL Listed Type 3R & 12
CSA Type 3R & 12
IEC 60529 IP55

***To maintain Type 3R listing, drainage is required. Install equally rated drainage device or drill a 1/8 to 1/4 inch hole in the bottom center of the enclosure, approximately 1 inch from the right, and 1 inch from the left for drainage, use listed rain-tight or wet location hubs. Drip shield over the door is recommended for all outdoor applications.



Enclosure Product Code A4				Subpanel (P3)			
Catalog No.	Height (A)	Width (B)	Depth (C)	Industry Standard	Catalog No.	Panel Height (D)	Panel Width (E)
SCE-244208WFLP	24.00	42.00	8.00	IS3	SCE-42P24	39.00	21.00
SCE-244212WFLP	24.00	42.00	12.00	IS3	SCE-42P24	39.00	21.00
SCE-244808WFLP	24.00	48.00	8.00	IS3	SCE-48P24	45.00	21.00
SCE-244812WFLP	24.00	48.00	12.00	IS3	SCE-48P24	45.00	21.00
SCE-304210WFLP	30.00	42.00	10.00	IS3	SCE-42P30	39.00	27.00
SCE-304810WFLP	30.00	48.00	10.00	IS3	SCE-48P30	45.00	27.00
SCE-304812WFLP	30.00	48.00	12.00	IS3	SCE-48P30	45.00	27.00
SCE-306010WFLP	30.00	60.00	10.00	IS3	SCE-60P30	57.00	27.00
SCE-306012WFLP	30.00	60.00	12.00	IS3	SCE-60P30	57.00	27.00
SCE-364212WFLP	36.00	42.00	12.00	IS3	SCE-42P36	39.00	33.00
SCE-364216WFLP	36.00	42.00	16.00	IS3	SCE-42P36	39.00	33.00
SCE-364810WFLP	36.00	48.00	10.00	IS3	SCE-48P36	45.00	33.00
SCE-364812WFLP	36.00	48.00	12.00	IS3	SCE-48P36	45.00	33.00
SCE-364816WFLP	36.00	48.00	16.00	IS3	SCE-48P36	45.00	33.00
SCE-366012WFLP	36.00	60.00	12.00	IS3	SCE-60P36	57.00	33.00
SCE-366016WFLP	36.00	60.00	16.00	IS3	SCE-60P36	57.00	33.00
SCE-424212WFLP	42.00	42.00	12.00	IS3	SCE-42P42	39.00	39.00
SCE-424216WFLP	42.00	42.00	16.00	IS3	SCE-42P42	39.00	39.00
SCE-424812WFLP	42.00	48.00	12.00	IS3	SCE-48P42	45.00	39.00
SCE-424816WFLP	42.00	48.00	16.00	IS3	SCE-48P42	45.00	39.00
SCE-426012WFALP	42.00	60.00	12.00	IS3	SCE-60BFP42	56.00	38.00
SCE-426016WFALP	42.00	60.00	16.00	IS3	SCE-60BFP42	56.00	38.00
SCE-484812WFLP	48.00	48.00	12.00	IS3	SCE-48P48	44.00	44.00
SCE-484816WFLP	48.00	48.00	16.00	IS3	SCE-48P48	44.00	44.00



SECTION A-A

HANDLE NOTES:

Enclosures <= 42.00 [1067] in height
X = 5.50 [140] and uses 5.00 [127]
key-locking/padlocking handle.

Enclosures >42.00 [1067] in height
X = 6.75 [171] and uses 7.00 [178]
key-locking/padlocking handle

W = 3.63 [92,2] > 24 inch height enclosure
W = 3.00 [76,2] 24 inch height enclosure